



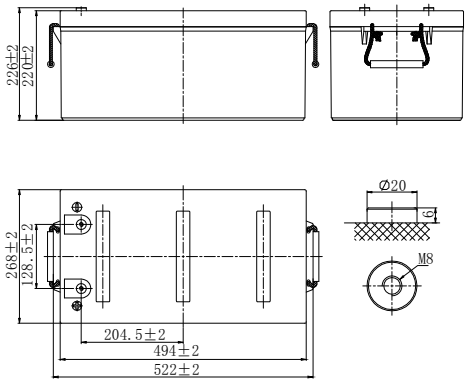
# 常规系列 (General purpose) DJM12250(12V250Ah)

## 规格 Specifications

|                                                    |                            |                         |  |
|----------------------------------------------------|----------------------------|-------------------------|--|
| 额定电压 Rated Voltage                                 | 12V                        |                         |  |
| 标称容量 Nominal Capacity(C <sub>10</sub> ,1.80V/cell) | 250Ah                      |                         |  |
| 尺寸 Dimension                                       | 长 Length                   | 522±2mm (20.55 in.)     |  |
|                                                    | 宽 Width                    | 268±2mm (10.55 in.)     |  |
|                                                    | 高 Container Height         | 220±2mm (8.66 in.)      |  |
|                                                    | 总高(含端子) Total Height       | 226±2mm (8.90 in.)      |  |
| 重量 Approx Weight                                   | 72.5kg (159.8lbs)          |                         |  |
| 端子 Terminal                                        | M8                         |                         |  |
| 外壳材料 Container Material                            | ABS                        |                         |  |
| 额定容量 Rated Capacity (25°C)                         | 266.0 Ah                   | C20(13.3A,1.80V/cell)   |  |
|                                                    | 250.0 Ah                   | C10(25.0A,1.80V/cell)   |  |
|                                                    | 219.0 Ah                   | C5(43.8A,1.75V/cell)    |  |
|                                                    | 198.9 Ah                   | C3(66.3A,1.75V/cell)    |  |
|                                                    | 160.0Ah                    | C1(160A,1.67V/cell)     |  |
| 5S最大放电电流 Max. Discharge Current                    | 2500A (5s)                 |                         |  |
| 内阻 Internal Resistance (25°C)                      | Approx 2.5mΩ               |                         |  |
| 运行温度 Operating Temp.Range                          | 放电 Discharge               | -20 ~ 55°C (-4 ~ 131°F) |  |
|                                                    | 充电 Charge                  | 0 ~ 40°C (32 ~ 104°F)   |  |
|                                                    | 存储 Storage                 | -15 ~ 50°C (5 ~ 122°F)  |  |
| 推荐温度 Nominal Operating Temp. Range                 | 25±5°C (77±5°F)            |                         |  |
| 最大充电电流(25°C)Max.Charging Current                   | 75.0A                      |                         |  |
| 充电电压(25°C) Charge voltage                          | 浮充 Float                   | 13.5V                   |  |
|                                                    | 温度补偿 Temp. Coefficient     | -3mV/单格/°C              |  |
|                                                    | 循环(均充) Cycle(Equalization) | 14.1~14.4V              |  |
| 温度对容量影响 Effect of temp. to Capacity                | 40°C (104°F)               | 106%                    |  |
|                                                    | 25°C (77°F)                | 100%                    |  |
|                                                    | 0°C (32°F)                 | 86%                     |  |
| 自放电 Self Discharge                                 | ≤3%/月 @ 25°C               |                         |  |



## 外形 Layout



## 恒流放电表(A) 25 °C Constant Current Discharge

| F.V/Time   | 5min  | 10min | 15min | 20min | 30min | 45min | 1h    | 1.5h  | 2h   | 3h   | 4h   | 5h   | 6h   | 8h   | 10h  | 20h  |
|------------|-------|-------|-------|-------|-------|-------|-------|-------|------|------|------|------|------|------|------|------|
| 1.85V/cell | 520.3 | 388.4 | 323.5 | 271.9 | 209.0 | 155.9 | 131.7 | 98.8  | 79.1 | 59.6 | 47.5 | 39.7 | 34.5 | 28.0 | 23.4 | 12.6 |
| 1.80V/cell | 606.5 | 458.0 | 376.2 | 313.3 | 236.2 | 174.4 | 145.8 | 108.1 | 86.0 | 64.5 | 51.2 | 42.8 | 37.0 | 30.0 | 25.0 | 13.3 |
| 1.75V/cell | 661.9 | 491.1 | 397.9 | 328.7 | 246.9 | 181.4 | 151.2 | 111.7 | 88.7 | 66.3 | 52.5 | 43.8 | 37.8 | 30.5 | 25.4 | 13.4 |
| 1.70V/cell | 716.8 | 523.8 | 420.6 | 345.9 | 257.8 | 188.3 | 156.7 | 115.5 | 91.5 | 68.2 | 53.8 | 44.7 | 38.6 | 31.1 | 25.8 | 13.6 |
| 1.67V/cell | 748.4 | 543.0 | 433.8 | 355.7 | 264.3 | 192.6 | 160.0 | 117.6 | 93.0 | 69.2 | 54.6 | 45.3 | 39.0 | 31.4 | 26.0 | 13.7 |
| 1.60V/cell | 825.0 | 587.5 | 465.0 | 378.8 | 279.3 | 202.5 | 167.8 | 122.8 | 96.9 | 71.8 | 56.4 | 46.7 | 40.1 | 32.2 | 26.6 | 13.9 |

## 恒功率放电表(W) 25 °C Constant Power Discharge

| F.V/Time   | 5min   | 10min  | 15min | 20min | 30min | 45min | 1h    | 1.5h  | 2h    | 3h    | 4h    | 5h   | 6h   | 8h   | 10h  | 20h  |
|------------|--------|--------|-------|-------|-------|-------|-------|-------|-------|-------|-------|------|------|------|------|------|
| 1.85V/cell | 988.6  | 743.5  | 621.5 | 523.8 | 403.9 | 302.3 | 256.1 | 192.6 | 154.5 | 116.9 | 93.4  | 78.2 | 68.0 | 55.4 | 46.4 | 25.0 |
| 1.80V/cell | 1135   | 866.2  | 715.2 | 597.8 | 452.8 | 335.6 | 281.5 | 209.6 | 167.3 | 126.0 | 100.3 | 84.0 | 72.7 | 59.2 | 49.4 | 26.3 |
| 1.75V/cell | 1219.7 | 917.5  | 748.7 | 621.2 | 469.2 | 346.6 | 289.8 | 215.3 | 171.5 | 128.8 | 102.4 | 85.6 | 74.0 | 60.1 | 50.1 | 26.6 |
| 1.70V/cell | 1299.4 | 965.7  | 782.4 | 647.2 | 485.4 | 356.9 | 298.4 | 221.2 | 176.0 | 132.0 | 104.6 | 87.3 | 75.5 | 61.1 | 50.8 | 27.0 |
| 1.67V/cell | 1343.7 | 993.3  | 809.1 | 661.3 | 495.1 | 363.1 | 303.2 | 224.4 | 178.3 | 133.6 | 105.8 | 88.2 | 76.2 | 61.6 | 51.2 | 27.1 |
| 1.60V/cell | 1443.8 | 1052.9 | 844.2 | 693.1 | 516.3 | 377.8 | 314.9 | 232.4 | 184.4 | 137.7 | 108.8 | 90.5 | 78.0 | 62.9 | 52.1 | 27.6 |



# 常规系列 (General purpose) DJM12250(12V250Ah)

## 应用 Applications

- 通讯  
Telecommunications
- UPS、数据中心  
UPS、Data Center
- 储能、电力  
Energy Storage、Electric Systems
- 紧急照明、安防  
Emergency Lighting、Security
- 医疗、电子设备  
Medical、Electronic Equipment
- 动力  
Motive Power

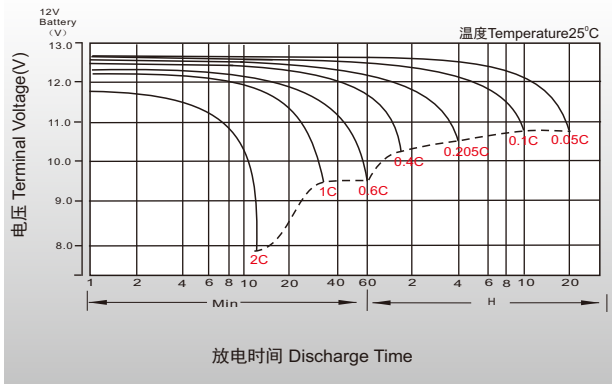
## 特征 General Features

- 25°C下, 设计浮充寿命可达12年。  
Under 25°C, the designed floating life is up to 12 years.
- 特殊的排气结构和密封技术, 使用安全可靠, 安装灵活, 维护便捷。  
Special exhaust structure and sealing technology, safe and reliable, flexible installation, convenient maintenance.

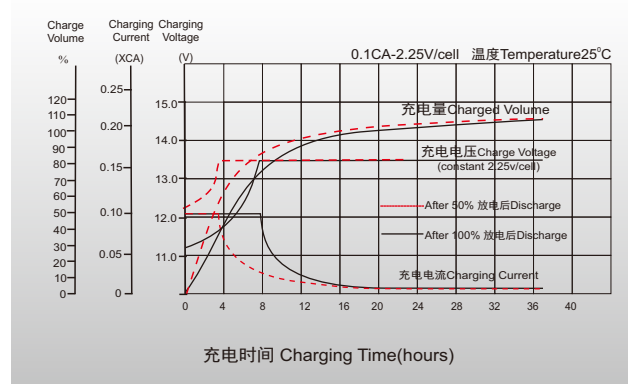
## 标准 Standards

- 符合IEC 60896, GB/T19638, YD/T 799 和DL/T 637标准  
Compliance with IEC 60896, GB/T19638, YD/T 799 and DL/T 637 standards
- UL 认证, 泰尔认证  
UL Certified, TLC Certified
- 企业通过了TS16949, OHSAS 18001, ISO 9001和ISO 14001体系认证  
Manufactured in Leoch®TS16949, OHSAS 18001, ISO 9001 and ISO 14001 certified production facilities

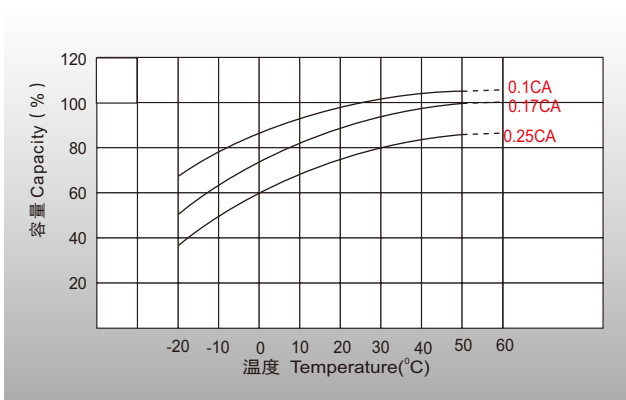
## 放电特性曲线 Discharge Characteristics



## 浮充特性曲线 Float Charging Characteristics



## 温度对容量影响 Temperature Effects in Relation to Battery Capacity



## 温度对浮充寿命影响 Temperature Effects on Long Term Float Life

